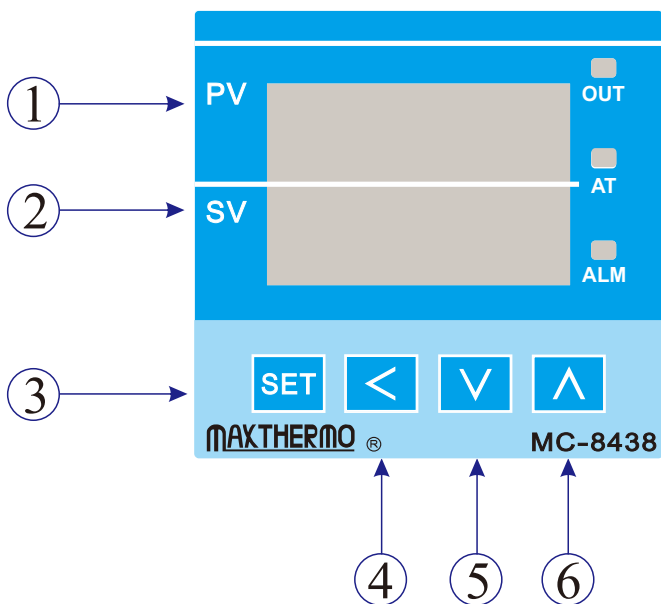


1 Panel Function

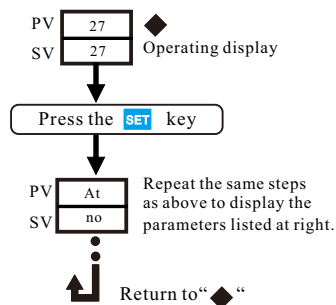


No.1	Marks	Description	Function
1	PV	Process value	Display the process value and parameter 7 segment display LED(Red)
2	SV	Set value	Display the set value 7 segment display LED(Green)
3	SET	Set key & enter key	Enter set value
4	<	Shift key	Shift digits when settings are change
5	V	Down key	Decrease the set value
6	^	Up key	Increase the set value

Marks	Description	Function
OUT	Output lamp	Green LED lights when out is activated
AT	Auto tuning lamp	Yellow LED lights when Auto tuning is activated
ALM	Alarm lamp	Red LED lights when Alarm is activated

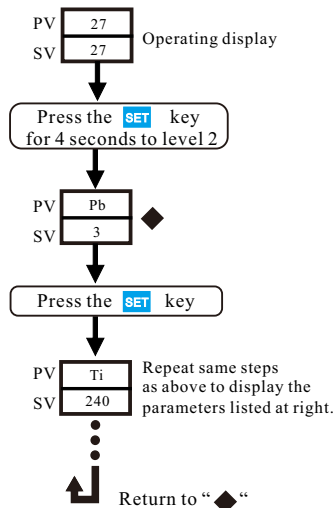
2 Operation Step

Level1 (User level)



Parameter	Description	Range	Ex - factory
AT	Auto tuning	"YES / no" to be used when setting PID	no
AL1	Alarm set value	-199 ~ 200°C	10
ALL	Deviation low alarm	-199 ~ 200°C	10
ALU	Deviation high alarm	-199 ~ 200°C	10

Level2 (PID level)



Parameter	Description	Range	Ex - factory
Pb	Output proportional band	0 ~ 999 ON / OFF at P = 0	3
Ti	Output integral time	0 ~ 900 Sec Integral off at I = 0	240
Td	Output derivative time	0 ~ 900 Sec Derivative off at D = 0	60
ATo	Output auto tuning off - set	-199 ~ 200	0
HYS	Output hysteresis	0.1 ~ 99.9 For ON / OFF control only	0.1
CYC	Output cycle time	1 ~ 150 Sec When output is SSR , it is set at 2 When output is RELAY usually is set at 20.	20