

34HD Series

Positional error: $\pm 5\%$;
 Working Temperature: -10°C - $+40^{\circ}\text{C}$;
 Temperature rise: 85K;
 Insulation resistance: 100Mohm min 500V DC;
 Insulation class: B.

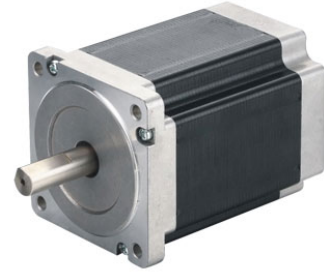
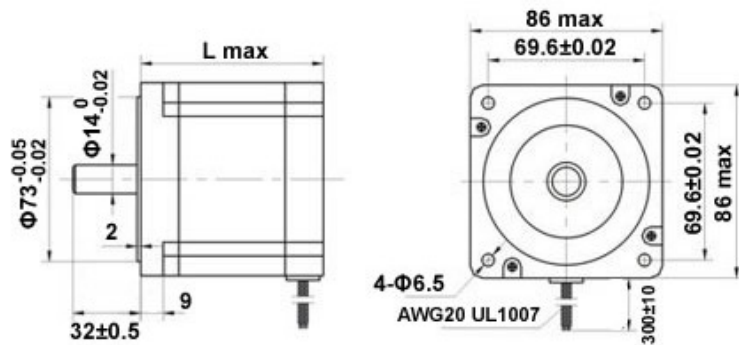
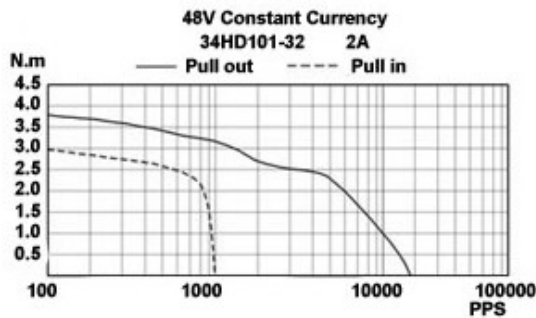


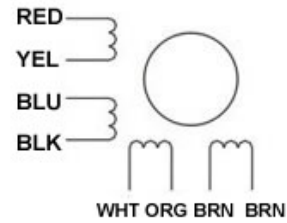
Figure Dimensions



Pulse-torque characteristics



Wiring Diagram



Code	Step angle	Rated current (A)	Resistance per phase (Ω)	Inductance per phase (mH)	Holding torque (mN.m)	Detent torque (mN.m)	Rotor inertia (g.cm ²)	Motor mass (kg)	Motor length "L"
34HD001-32	1.8°	4	2.0	2.2	10	2.1	0.10	0.8	1.7
34HD001-32	1.8°	4	2.0	3.2	18	4.1	0.18	1.6	2.8
34HD001-32	1.8°	4	3.0	1.2	1.6	4.2	0.24	2.8	3.2
34HD401-30	1.8°	4	4.0	0.75	3.6	/	/	1.4	1.6
34HD001-32	1.8°	4	2.0	2.2	2	/	/	1.4	1.7
34HD501-37	1.8°	4	4.0	0.3	3.2	/	/	3.3	2.0
34HD101-32	1.8°	4	2.0	3.2	18	/	/	2.7	2.0
34HD105-32	1.8°	4	4.0	0.98	4.1	/	/	2.7	2.8
34HD201-32	1.8°	4	4.0	0.6	6.5	/	/	4.0	3.8