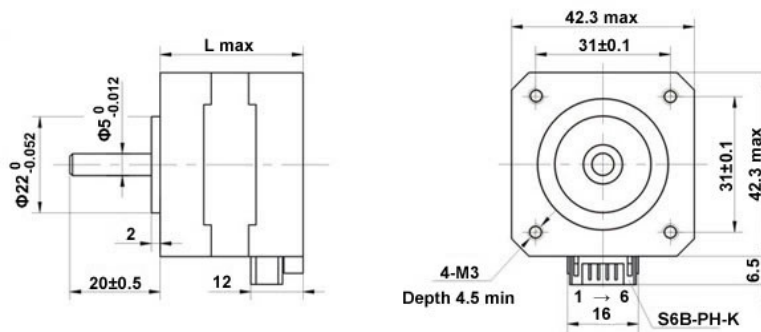


## 17HD Series

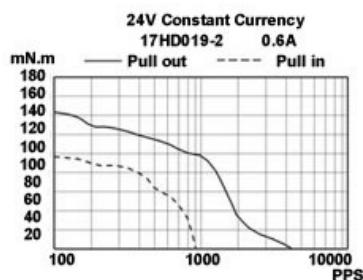
Positional error:  $\pm 5\%$ ;  
 Working Temperature:  $-10^{\circ}\text{C}$ ~ $+40^{\circ}\text{C}$ ;  
 Temperature rise: 85K;  
 Insulation resistance: 100Mohm min 500V DC;  
 Insulation class: B.



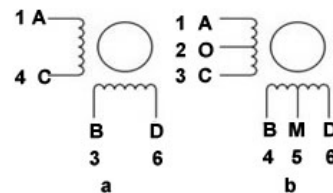
### Figure Dimensions



### Pulse-torque characteristics



### Wiring Diagram



Code	Step angle	Rated current (A)	Resistance per phase ( $\Omega$ )	Inductance per phase (mH)	Holding torque (mN.m)	Detent torque (mN.m)	Rotor inertia (g.cm <sup>2</sup> )	Wiring diagram	Motor mass (g)	Motor length "L"
17HD019-2	1.8°	0.6	9	5	160	12	38	b	0.2	34
17HD212-3	1.8°	0.6	7	15	280	15	57	a	0.24	40
17HD401-2	1.8°	0.4	30	45	160	20	82	a	0.38	48
17HD050W	1.8°	0.36	33	17	/	/	38	/	/	34
17HD102	1.8°	0.4	30	37	/	/	54	/	/	38
17HD033	1.8°	0.4	30	27	/	/	38	/	/	34
17HD033N	1.8°	0.4	30	27	/	/	38	/	/	34
17HD301	1.8°	0.33	46.5	110	/	/	72	/	/	44
17HD305N	1.8°	0.5	15	15	/	/	72	/	/	44
17HD401	1.8°	0.4	30	45	/	/	82	/	/	48
17HD403	1.8°	1.5	2	3.85	/	/	82	/	/	48
17HD202	1.8°	0.5	25	50	/	/	57	/	/	40
17HD003	1.8°	0.4	30	37	/	/	38	/	/	34
17HD003N	1.8°	0.4	30	37	/	/	38	/	/	34
17HD004	1.8°	0.28	55	30	/	/	38	/	/	34
17HD005	1.8°	0.6	22	28	/	/	38	/	/	34